



COBB

ACCESSPORT

COBB

QUICK START GUIDE

HOW IT WORKS

Welcome to the quick start guide for your new Accessport! This guide will give you a brief overview of how to use your device. Please visit cobbtuning.com/apsupport for the complete instruction manual, features, and capabilities.

The **Accessport** (AP) is a handheld device that can **flash** (or reprogram) your vehicle's engine computer (**ECU**, also known as a DME) with various performance and nonperformance **maps** (tuning files) through your vehicle's on-board diagnostic port (OBD-II port).

The Accessport can also display live vehicle gauges, take performance measurements, read and clear trouble codes (CEL, also known as DTC), and more!

If you ever have any questions, please contact our support team:
cobbtuning.com/support | 866-922-3059 | support@cobbtuning.com

Install

When you first install the Accessport by selecting Install from the main menu, the Accessport will recognize your vehicle, save your factory ECU data, load the proper maps from the background memory, and then flash your vehicle's ECU with the map you select. This process ties ("marries") the Accessport to your vehicle and it will remain this way until you uninstall the Accessport from the vehicle. An Accessport can only be used on one vehicle at a time.

Uninstall

To uninstall ("unmarry") the Accessport from a specific vehicle, you must select the Uninstall option from the main menu. This will allow you to use the Accessport on a different supported vehicle.

Maps

Factory ECU programming uses a number of intertwined tables to make sure the car runs properly. A map is a single file with these table values modified to increase performance or to activate special features.

Off The Shelf (OTS) Maps

COBB does research and development (R&D) to identify the best performance upgrade path. Then, OTS maps are created for this specific modification path and are available for a free download on cobbtuning.com

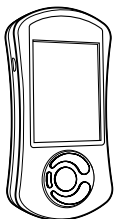
Protune (or custom) Maps

A Protune Map is a custom map file created by a Protuner in the COBB Protuner Network which can be flashed to your car using your Accessport. Such Maps can be made for any modification combination and is custom tailored for your exact vehicle, modifications, and local atmospheric conditions.

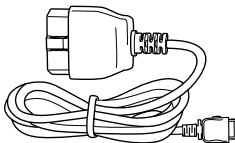
AP Manager

AP Manager is a program that can be installed on your Windows or Apple OSX computer that allows you to connect your Accessport to transfer map files, transfer log files, or update your Accessport with new firmware (software updates). It is a free download from cobbtuning.com/apmanager

IN-BOX CONTENTS



Accessport



OBD-II Cable



USB Cable

Accessport Buttons:



ACCESSPORT INSTALLATION

For installation purposes, it is important to ensure that the vehicle's battery has adequate power for both the Accessport and the ECU. Because of this, it is recommended that all in-car electronics and vehicle lights are turned off during the installation process to reduce drain on the vehicle's battery. For improved safety during installation, a car battery charger must be connected to the vehicle during the installation process.

Each vehicle has a specific installation process. Please turn to the appropriate section for your vehicle:

BMW - P. 4

Ford - P. 6

Mazdaspeed- P. 8

Mitsubishi - P. 10

Nissan GT-R - P. 12

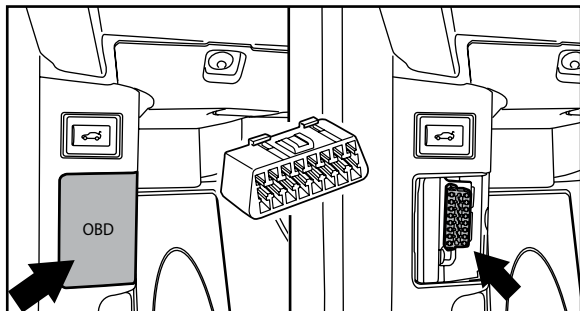
Porsche - P. 14

Subaru - P. 16

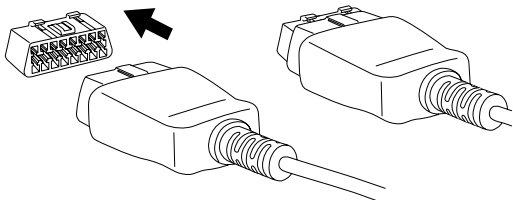
Volkswagen - P. 20

BMW INSTALLATION

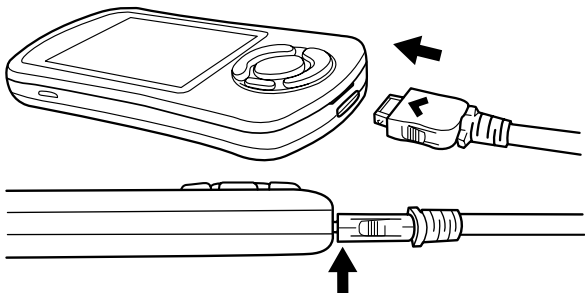
1. On the driver's side kick panel, remove the small cover over the OBD-II connector.



2. Insert the male end of the OBD-II cable into the OBD-II port.



3. Connect the small end of the OBD-II cable to the Accessport, ensuring the clasp is firmly engaged.



4. Insert key fob into the vehicle ignition.

5. Without pressing the clutch or brake pedal, press the START button twice to put the vehicle into the ON position.

NOTE: The engine should NOT be running.



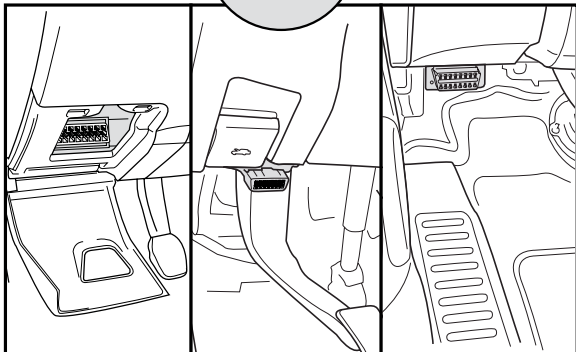
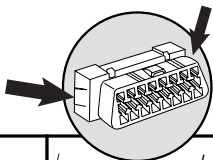
6. Select the Install option on the Accessport to begin the installation process. (Continue to Page 22)

WARNING!

Do not disturb the Accessport, OBD-II cable, or open or close vehicle doors while installation is taking place. Failure to do so may result in incomplete ECU reprogramming which will render the vehicle inoperable.

FORD INSTALLATION

1. Locate the OBD-II port in the lower dash. Some vehicles may have a small panel covering the port, in other cars it is located behind the hood release lever.

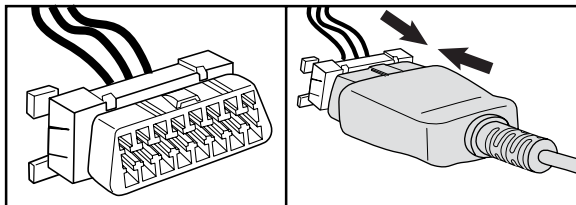


Focus ST

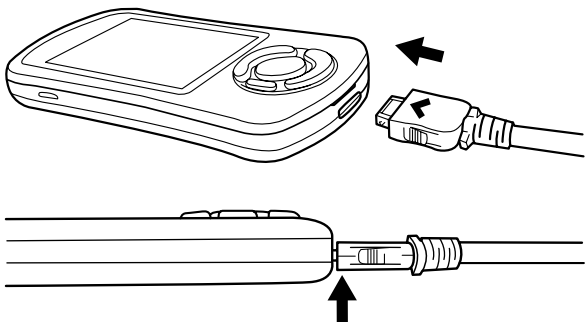
Fiesta ST

Mustang

2. Insert the male end of the OBD-II cable into the OBD-II port.

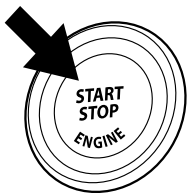


3. Connect the small end of the OBD-II cable to the Accessport, ensuring the clasp is firmly engaged.



4. Next, without depressing the clutch, press the engine START/STOP button once to turn the ignition ON.

NOTE: The engine should NOT be running.



5. Select the Install option on the Accessport to begin the installation process. (Continue to Page 22)

WARNING!

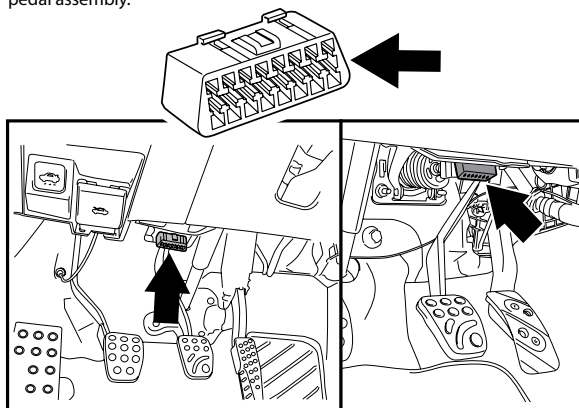
Do not disturb the Accessport or OBD-II cable while installation is taking place. Failure to do so may result in incomplete ECU reprogramming which will render the vehicle inoperable.

MAZDASPEED INSTALLATION

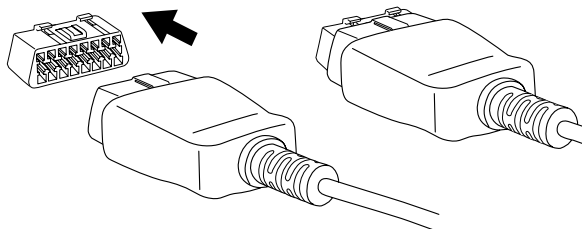
1. Locate the OBD-II port under the driver's side lower dash.

In MAZDASPEED3 vehicles, the OBD-II port is in a small cutout to the left and below the steering column.

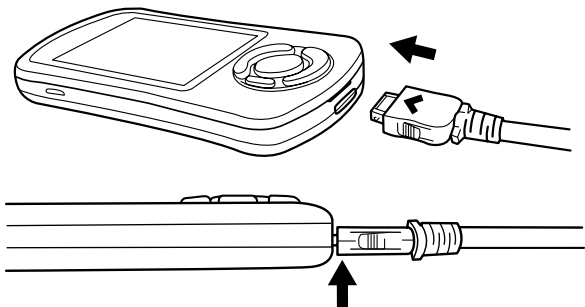
In MAZDASPEED6 vehicles, the OBD-II port is under the dash above the pedal assembly.



2. Insert the male end of the OBD-II cable into the OBD-II port.

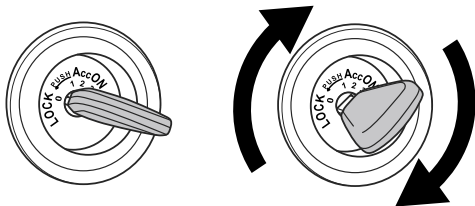


3. Connect the small end of the OBD-II cable to the Accessport, ensuring the clasp is firmly engaged.



4. Insert key into vehicle ignition and turn it to the ON position. Make sure climate control, headlights, and the radio are turned off.

NOTE: The engine should NOT be running.



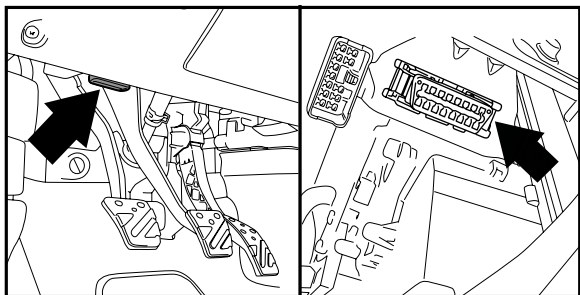
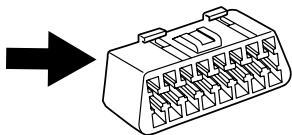
5. Select the Install option on the Accessport to begin the installation process. (Continue to Page 22)

WARNING!

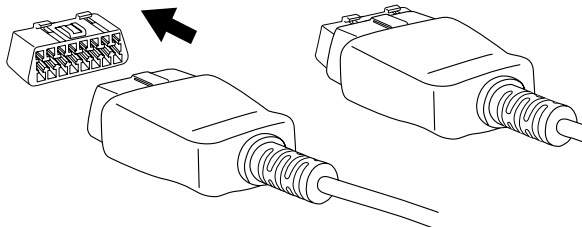
Do not disturb the Accessport or OBD-II cable while installation is taking place. Failure to do so may result in incomplete ECU reprogramming which will render the vehicle inoperable.

MITSUBISHI INSTALLATION

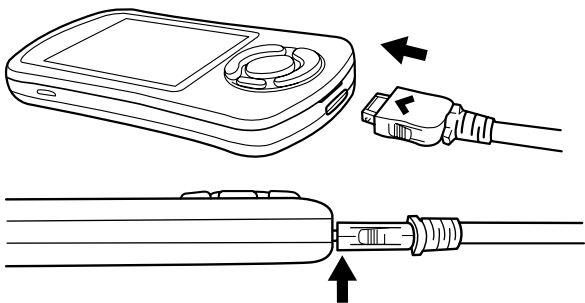
1. Locate the OBD-II port under the left side of the driver's side lower dash.



2. Insert the male end of the OBD-II cable into the OBD-II port.

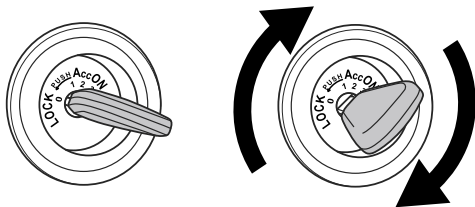


3. Connect the small end of the OBD-II cable to the Accessport, ensuring the clasp is firmly engaged.



4. Insert key into vehicle ignition and turn it to the ON position. Make sure climate control, headlights, and the radio are all turned off.

NOTE: The engine should NOT be running.



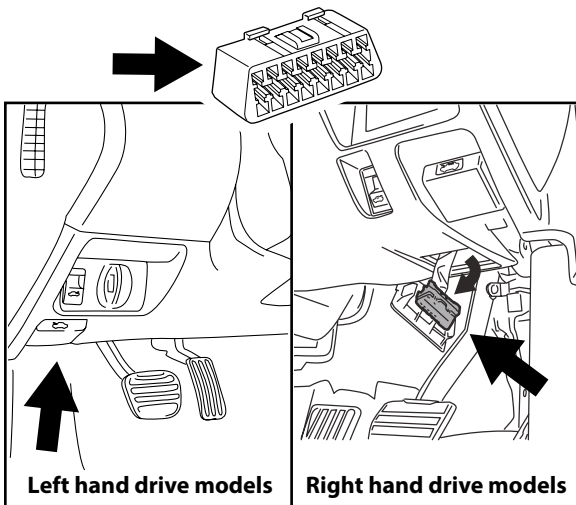
5. Select the Install option on the Accessport to begin the installation process. (Continue to Page 22)

WARNING!

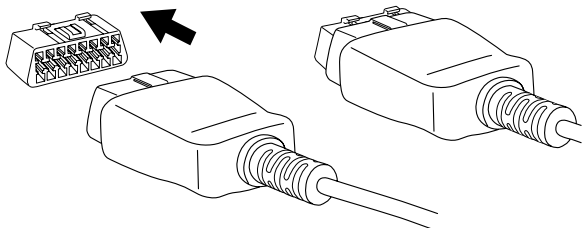
Do not disturb the Accessport or OBD-II cable while installation is taking place. Failure to do so may result in incomplete ECU reprogramming which will render the vehicle inoperable.

NISSAN GT-R INSTALLATION

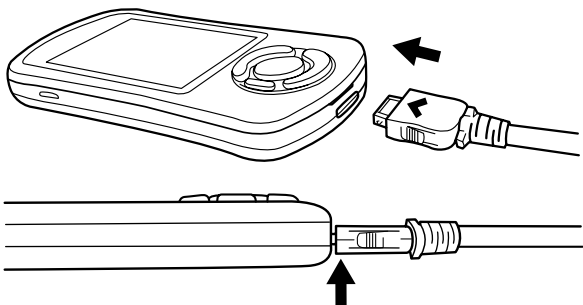
1. Locate the OBD-II port under the driver's side lower dash.
Left hand drive models are exposed behind the hood release latch.
Right hand drive models are behind a pull-down panel in the same location.



2. Insert the male end of the OBD-II cable into the OBD-II port.

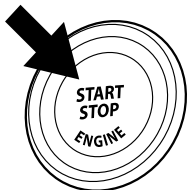


3. Connect the small end of the OBD-II cable to the Accessport, ensuring the clasp is firmly engaged.



4. Next, without touching the brake pedal, press the START button twice to turn the ignition to ON. It is required to turn the climate control completely off by pressing the fan control dial on your HVAC controls.

NOTE: The engine should NOT be running.



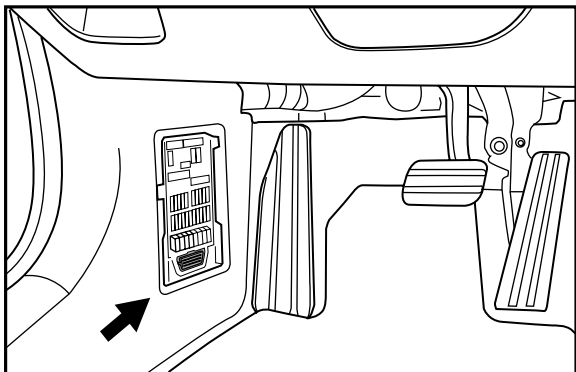
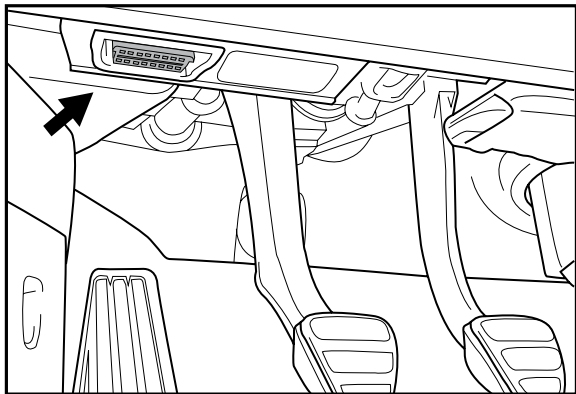
5. Select the Install option on the Accessport to begin the installation process. (Continue to Page 22)

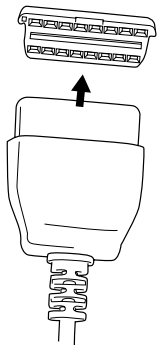
WARNING!

Do not disturb the Accessport or OBD-II cable while installation is taking place. Failure to do so may result in incomplete ECU reprogramming which will render the vehicle inoperable.

PORSCHE INSTALLATION

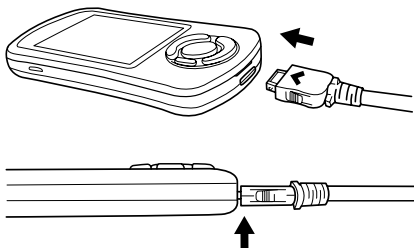
1. Locate the OBD-II port in the lower dash. Some vehicles may have a small panel covering the port on the left kick panel. It will be purple in color.





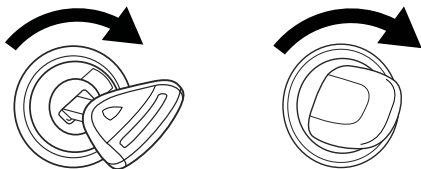
2. Insert the male end of the OBD-II cable into the OBD-II port.

3. Connect the small end of the OBD-II cable to the Accessport, ensuring the clasp is firmly engaged.



4. Turn the key or ignition switch to the 'On' position without depressing the brake or clutch pedal.

NOTE: The engine should NOT be running.



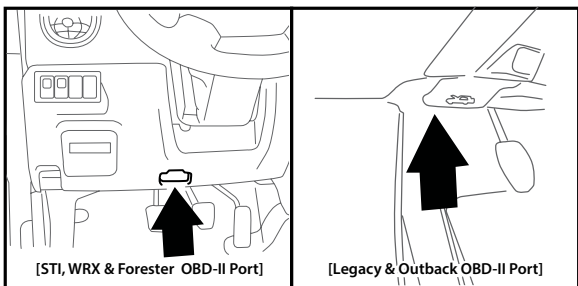
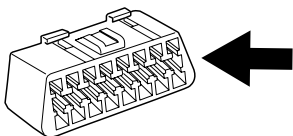
5. Select the Install option on the Accessport to begin the installation process. (Continue to Page 22)

WARNING!

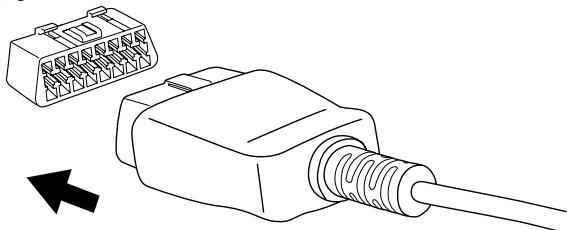
Do not disturb the Accessport or OBD-II cable while installation is taking place. Failure to do so may result in incomplete ECU reprogramming which will render the vehicle inoperable.

SUBARU INSTALLATION

1. Locate the OBD-II port under the left side of the driver's side lower dash.

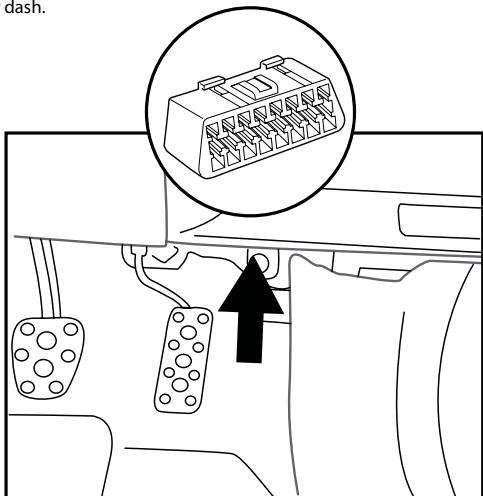


2. Insert the male end of the OBD-II cable into the OBD-II port. Proceed to page 19 for continued instructions. For SUB-001 & SUB-002, proceed to page 18.

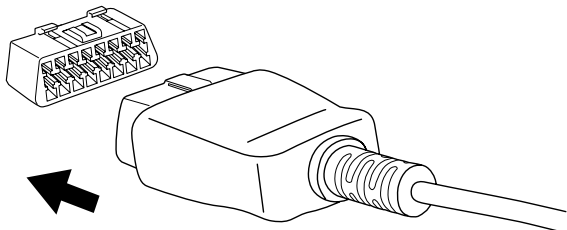


WRX AUSTRALIA OBD-II LOCATION

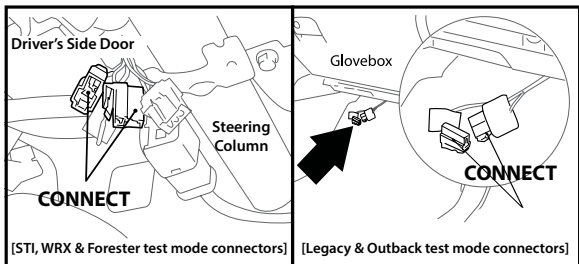
1. Locate the OBD-II port located under the right side of the driver's side lower dash.



2. Insert the male end of the OBD-II cable into the OBD-II port.
Skip page 18 and proceed to page 19 for continued instructions.

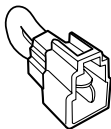


For **SUB-001 and SUB-002 Accessport installation**, locate and connect the two green Test Mode connectors under the dash towards the left kick panel. To ensure the connection is made, turn the key to the ON position but do NOT start the engine. You should hear the radiator fans and fuel pump cycling on/off as well as notice the 'Check Engine' light flashing. This is normal and confirms that the vehicle is in Test Mode. Once Test Mode is confirmed, turn the key back to the OFF position and continue.

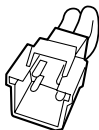


NOTE: The Test Mode connectors must be connected whenever changing a base map.

On **2002-2005 WRX** models you will need to connect one of the provided Initialization Connectors. The corresponding connector is located under the driver's side lower dash near the green Test Mode connectors and is translucent white.



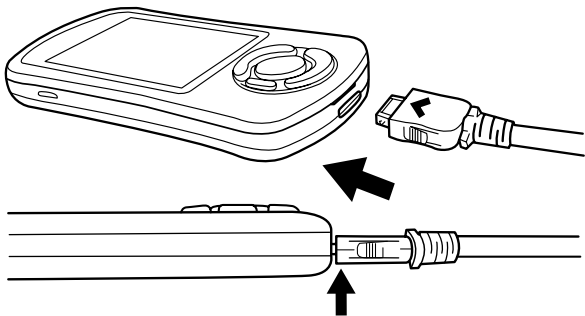
2002 WRX Initialization
Connector (BLUE)



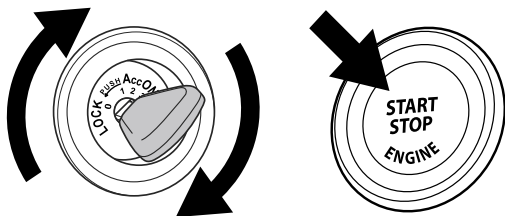
2003-2005 WRX Initialization
Connector (WHITE)

Proceed to page 19 for continued instructions.

3. Connect the small end of the OBD-II cable to the Accessport, ensuring the clasp is firmly engaged.



4. Insert key into vehicle ignition and turn it to the ON position. Make sure climate control, headlights, and the radio are all turned off. If equipped with a push-button start, hit the start button twice without depressing the brake or clutch pedal. **NOTE: The engine should NOT be running.**



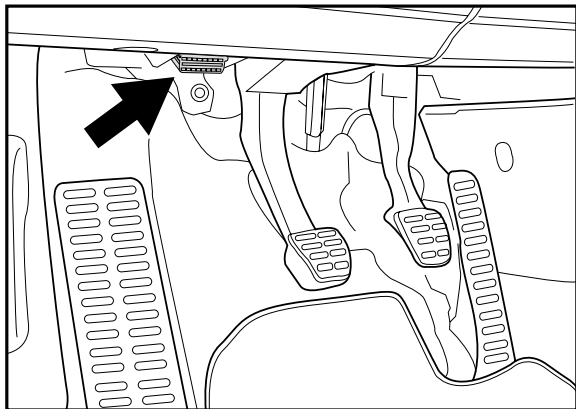
5. Select the Install option on the Accessport to begin the installation process.

WARNING!

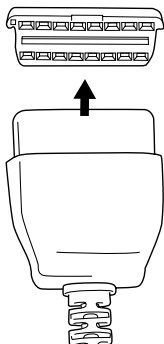
Do not disturb the Accessport or OBD-II cable while installation is taking place. Failure to do so may result in incomplete ECU reprogramming which will render the vehicle inoperable.

VOLKSWAGEN INSTALLATION

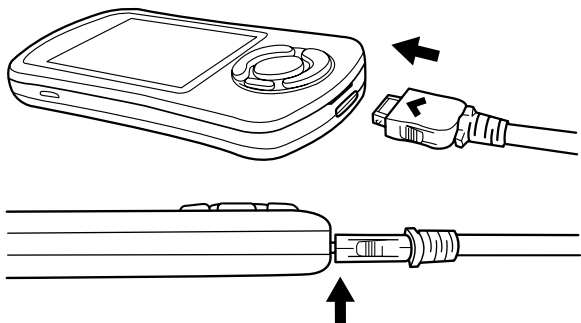
1. Locate the OBD-II port under the left side of the driver's side lower dash. It will be purple in color.



2. Insert the male end of the OBD-II cable into the OBD-II port.

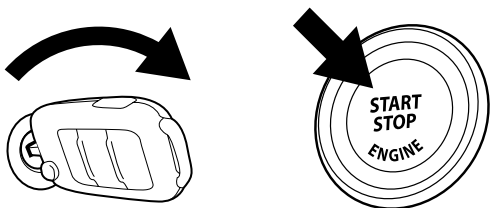


3. Connect the small end of the OBD-II cable to the Accessport, ensuring the clasp is firmly engaged.



4. Insert key into the vehicle ignition. Turn it to the ON position without pressing the brake or clutch pedal. If equipped with a push-button start, hit the start button once without depressing the brake or clutch pedal.

NOTE: The engine should NOT be running.



5. Select the Install option on the Accessport to begin the installation process. (Continue to Page 22)

WARNING!

Do not disturb the Accessport or OBD-II cable while installation is taking place. Failure to do so may result in incomplete ECU reprogramming which will render the vehicle inoperable.

Vehicle Identification: The Accessport will now attempt to automatically identify the target vehicle.

If the Accessport successfully identifies the vehicle, press OK to confirm.

If an error occurs reference the Troubleshooting guide in the Accessport User Manual, found at cobbtuning.com/apsupport

Map Selection: After the Accessport identifies the vehicle, it will present a list of maps for that vehicle. The map selected will become the base map for the vehicle. To ensure the best performance, select the map that most closely matches the modification level of the vehicle. You may also long hold the OK button to view detailed map information. After confirming that the selected map is correct, press OK again to proceed, or press CANCEL to return to the map selection list.

Save Stock ECU Program Data: The Accessport has the ability to save the stock ECU program data. This process can take 5-30 minutes depending on the vehicle. We highly recommend using a battery charger for the Install and Uninstall process. If stock data is not saved or is lost, stock data supplied with the Accessport will be used during the Uninstall process.

Install Accessport Programming: With the stock ECU data saved, the Accessport will proceed with installation to the vehicle. At this point the Accessport reprograms the vehicle's ECU with new program data and calibration parameters from the selected map file. This process will take several minutes to complete.

Installation Complete: The last step of the installation process is the clearing of trouble codes. When this step is complete turn off the ignition and wait for approximately 10 seconds. After that is done your screen should now display "Installation Complete". The Accessport is not required to stay plugged in, however it can be used for gauges, data logging, performance testing, and more.

NOTES:



COBB Tuning | Phone: 866.922.3059 | Fax: 512.997.6400
2311 W. Rundberg Ln. Suite 500 Austin, TX 78758
www.cobbtuning.com | facebook.com/cobbtuning

© COBB Tuning Products, LLC. All rights reserved. Accessport, Accesstuner, COBB Tuning and the COBB logo are trademarks of COBB Tuning Products, LLC. All other company and product names mentioned are trademarks of their respective companies. Mention of third-party brands or products does not constitute an endorsement or recommendation of COBB Tuning from said companies.